



# SLIP RING & CABLE REEL

- **EXPLOSION PROOF SERIES**
- **MARINE SERIES**
- **STEEL INDUSTRY AND EARTHMOVING MACHINERY**
- **MINING AND DRILLING**
- **INDUSTRIAL AND AUTOMATION**
- **SPECIAL CABLE**

**2026**



DISTRIBUIDOR OFICIAL PARA LATAM & CARICOM

**EXPLUSULTRA**

[explusultra.com](http://explusultra.com) | [info@explusultra.com](mailto:info@explusultra.com) | +507 6311-3676 | Panama City



**SPM Special Machine** is a young company from Milan (Italy) specialized in slip ring and cable reel. The strength of the SPM is the twenty-year experience of Team working in different industrial sectors (mining, marine and industrial, automotive and testing).

Thanks to their creative ability, the team over the years has revised all the products on the market in terms of technology, quality, reliability and safety, differentiating themselves from competitors with extremely different and effective solutions.





# EXPLOSION PROOF SERIES



# SLIP RING



## SLIP RING EXPLOSION PROOF SREX150 SERIES

SLIP RING TYPE	SREX150 SERIES
Protection Ex	Exdb IP66
TYPE OF RING	POWER ,AUXILIAR , SIGNAL
max. Current	In=150 A
Max Voltage	Vn=1000 VCA
Number size	SREX151/SREX152/SREX153
ATEX SCHEME	II 2G Edb IIB T5 Gb
IECEX SCHEME	Exdb IIB T5 Gb



# SLIP RING



## ROTARY JOINT EXPLOSION PROOF RJEX SERIES

ROTARY JOINT	RJEX
Protetion Ex	Ex h
TYPE OF FLUID	OIL, AIR, WATER
max. pressure	500 bar
Max diameter	500 mm
Type port	G3/8- ---G2
ATEX SCHEME	II 2G Exh IIB T5 Gb



# SLIP RING



## SLIP RING EXPLOSION PROOF SREX300 SERIES

SLIP RING TYPE	SREX300 SERIES
Protection Ex	Exdb IP66
TYPE OF RING	POWER ,AUXILIAR , SIGNAL
max. Current	In=300 A
Max Voltage	Vn=1000 VCA
Number size	SREX301/SREX302/SREX3 02
ATEX SCHEME	II 2G Edb IIB T5 Gb
IECEX SCHEME	Exdb IIB T5 Gb

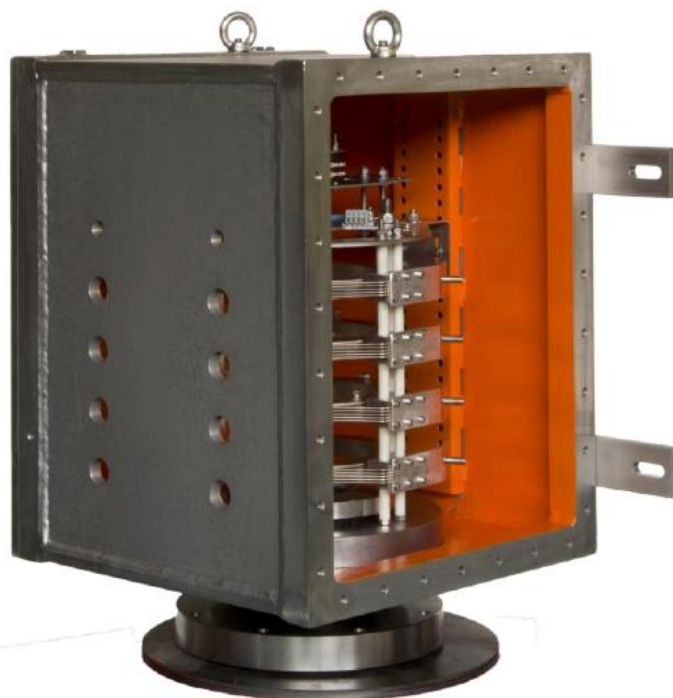


# SLIP RING



## SLIP RING EXPLOSION PROOF SREX506 SERIES

SLIP RING TYPE	SREX506 SERIES
Protection Ex	Exdb IP66
TYPE OF RING	POWER ,AUXILIAR , SIGNAL
max. Current	In=638 A
Max Voltage	Vn=24 KV
Number size	SREX506
ATEX SCHEME	II 2G Edb IIB T5 Gb
IECEX SCHEME	Exdb IIB T5 Gb



# SLIP RING



**SREX690  
SERIES**

## SLIP RING EXPLOSION PROOF SREX690 SERIES

SLIP RING TYPE	SREX690 SERIES
Protetion Ex	Exdb IP66
TYPE OF RING	POWER ,AUXILIAR , SIGNAL
max. Current	In=2000 A
Max Voltage	Vn=24 KV
Number size	SREX691,SREX692, SREX693
ATEX SCHEME	II 2G Edb IIB T5 Gb
IECEX SCHEME	Exdb IIB T5 Gb



# SPRING CABLE REEL



## SPRING CABLE REEL EXPLOSION PROOF SCREX-A SERIES

SLIP RING TYPE	SCREX-A SERIES
Protection Ex	Ex h / Exdb
TYPE OF RING	POWER ,AUXILIAR , SIGNAL +ROTAY SENSOR+ICLINOMETER
max. Current	In=50 A
Max Voltage	Vn=680 V
Meter max	20 mt
ATEX SCHEME	II 2G Exh IIB T5 Gb

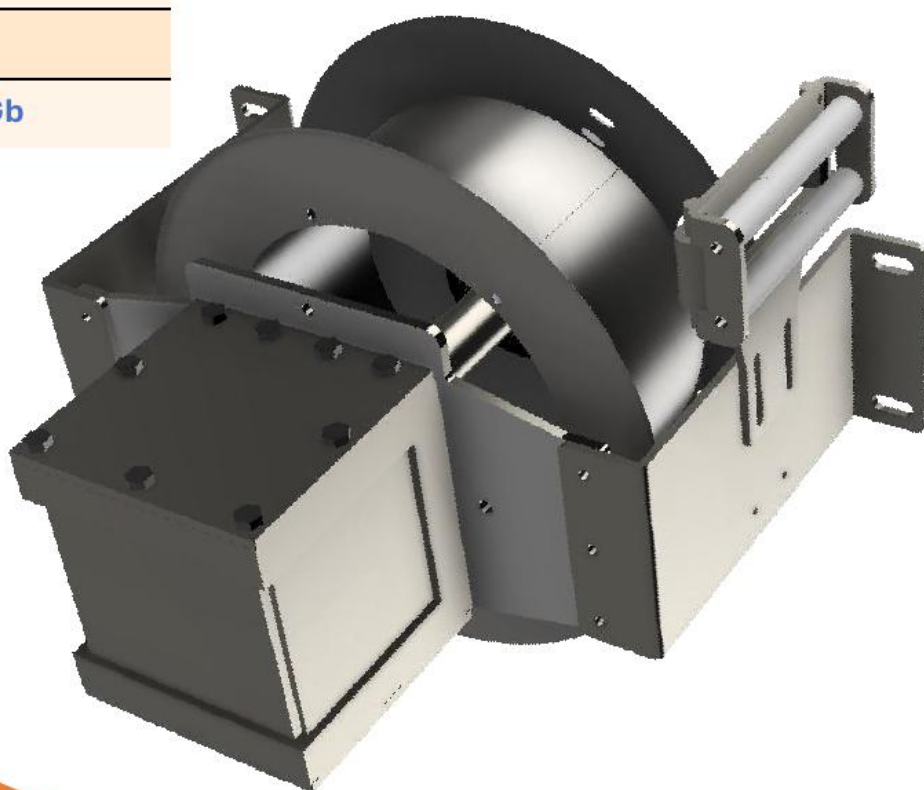


# SPRING CABLE REEL



## SPRING CABLE REEL EXPLOSION PROOF SCREX-B SERIES

SLIP RING TYPE	SCREX-B SERIES
Protetion Ex	Ex h / Exdb IP66
TYPE OF RING	POWER ,AUXILIAR , SIGNAL +ROTAY SENSOR+ICLINOMETER
max. Current	In=50 A
Max Voltage	Vn=680 V
Meter max	20 mt
ATEX SCHEME	II 2G Exh IIB T5 Gb



# SPRING CABLE REEL



## SPRING CABLE REEL EXPLOSION PROOF SCREX-SK SERIES

SLIP RING TYPE	SCREX-SK SERIES
Protetion Ex	Ex h / Exdb IP66
TYPE OF RING	POWER ,AUXILIAR , SIGNAL +ROTAY SENSOR+ICLINOMETER
max. Current	In=150A
Max Voltage	Vn=680 V
Meter max	50 mt
ATEX SCHEME	II 2G Exh IIB T5 Gb



# MOTOR CABLE REEL



## MOTOR CABLE REEL EXPLOSION PROOF MCREX- SERIES

SLIP RING TYPE	MCREX-SERIES
Protetion Ex	Ex h / Exdb IP66
TYPE OF RING	POWER ,AUXILIAR , SIGNAL +ROTAY SENSOR+ICLINOMETER
max. Current	In=150 A
Max Voltage	Vn =690 V
Meter max	200 mt
ATEX SCHEME	II 2G Exh IIB T5 Gb

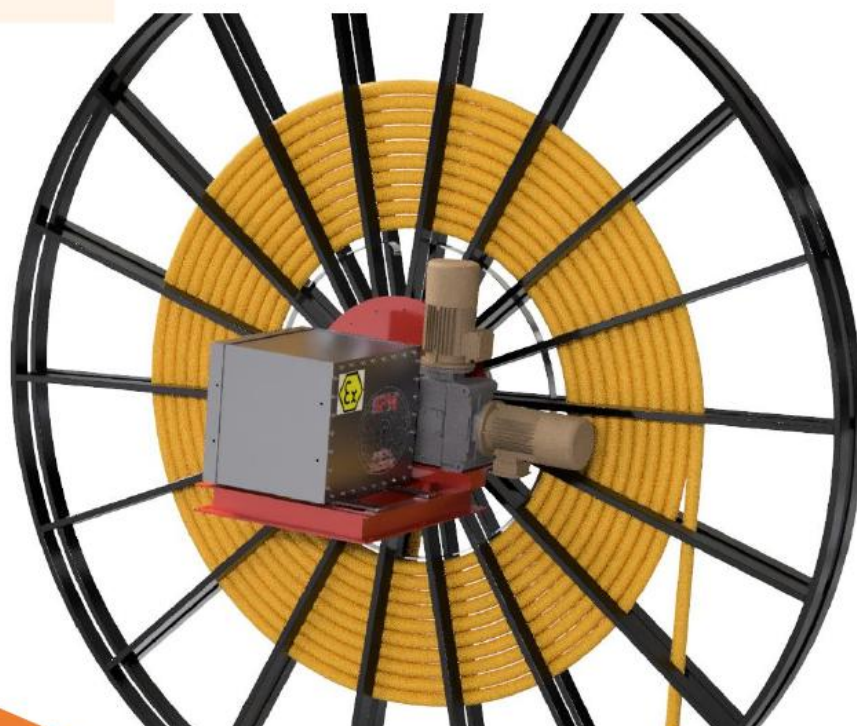


# MOTOR CABLE REEL



## MOTOR CABLE REEL EXPLOSION PROOF MCREX-HP SERIES

SLIP RING TYPE	MCREX-HP SERIES
Protetion Ex	Ex h / Exdb IP66
TYPE OF RING	POWER ,AUXILIAR , SIGNAL +ROTAY SENSOR+ICLINOMETER
max. Current	In=640 A
Max Voltage	Vn =24kV
Meter max	400 mt
ATEX SCHEME	II 2G Exh IIB T5 Gb

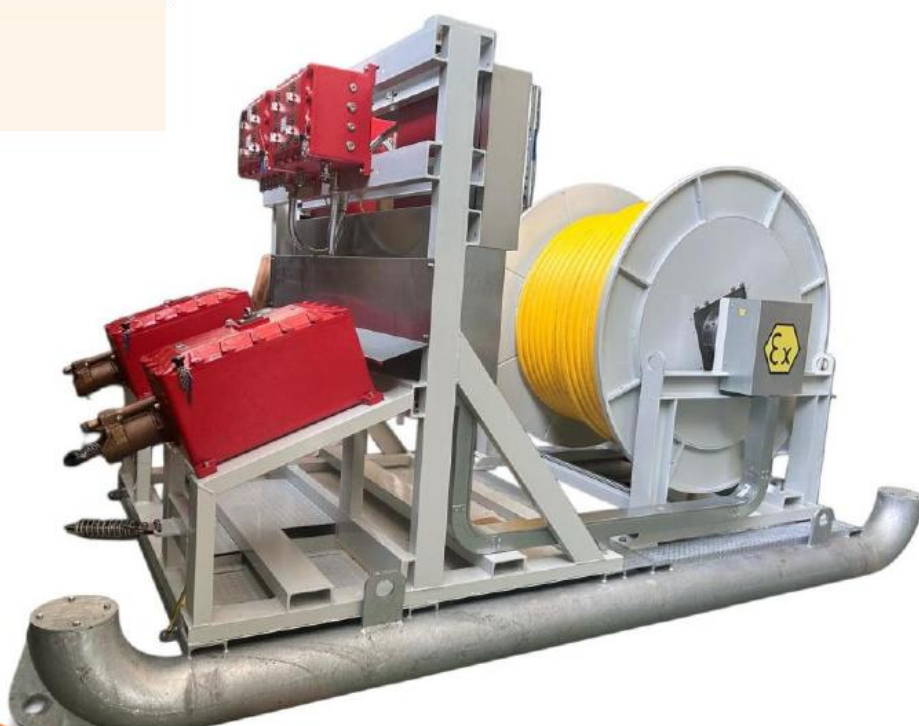


# MOTOR CABLE REEL



## MOTOR CABLE REEL EXPLOSION PROOF MINING MCREX-MMV01 SERIES

SLIP RING TYPE	MCREX-MMV SERIES
Protetion Ex	Ex h / Exdb IP66
TYPE OF RING	POWER ,AUXILIAR , SIGNAL +ROTAY SENSOR
max. Current	In=640 A
Max Voltage	Vn =24kV
Meter max	500 mt
ATEX SCHEME	I M2 Exh I Mb

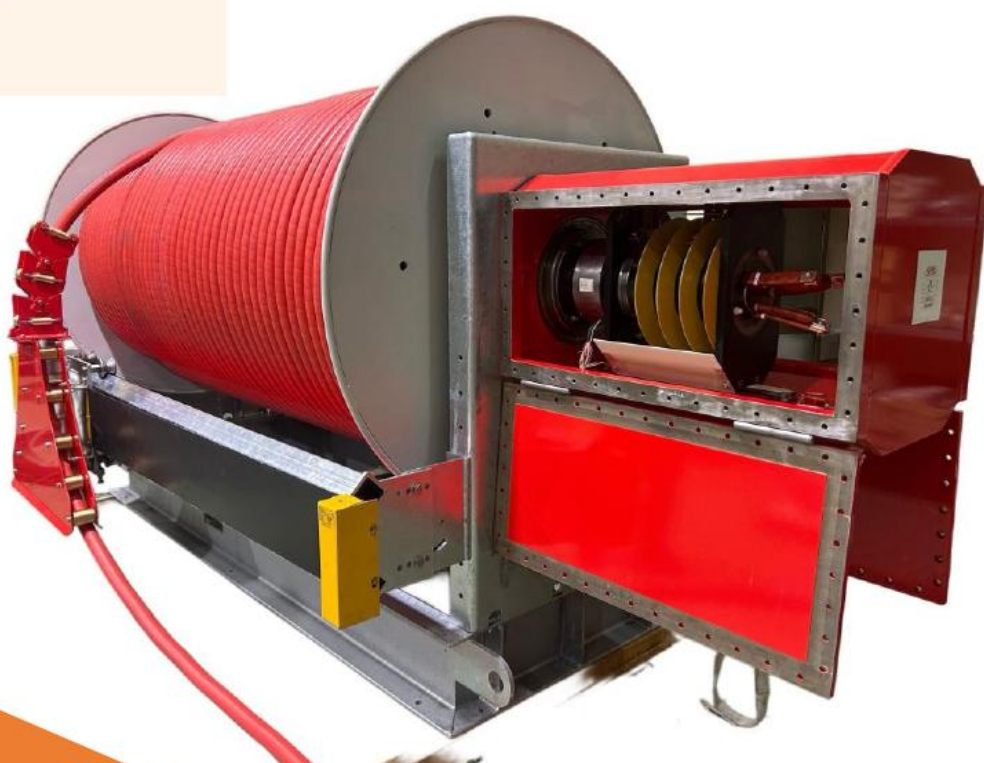


# MOTOR CABLE REEL



## MOTOR CABLE REEL EXPLOSION PROOF MINING MCREX-MMV02 SERIES

SLIP RING TYPE	MCREX-MMV SERIES
Protetion Ex	Ex h / Exdb IP66
TYPE OF RING	POWER ,AUXILIAR , SIGNAL +ROTAY SENSOR
max. Current	In=640 A
Max Voltage	Vn =24kV
Meter max	500 mt
ATEX SCHEME	I M2 Exh I Mb



# JUNCTION BOX



## JBEXS JUNCTION BOX EX S ATEX MEDIUM VOLTAGE

TYPE	JBEXS CONNECTION SERIES
Protection	IP66
Max voltage operation	20 KV
max. Current busbars	In=680 A
Max Voltage	Vn=24KV
RATED POWER FREQ WITHSTAND VOLTAGE	50 KV
construction steel	AISI316L/Carbon steel
UE SCHEME	2014/34/UE
STANDARD	IEC 60079-33 II 2G EX sb IIB Gb I M2 EX sb I Mb



Junction  
boxe  
Medium  
Voltage

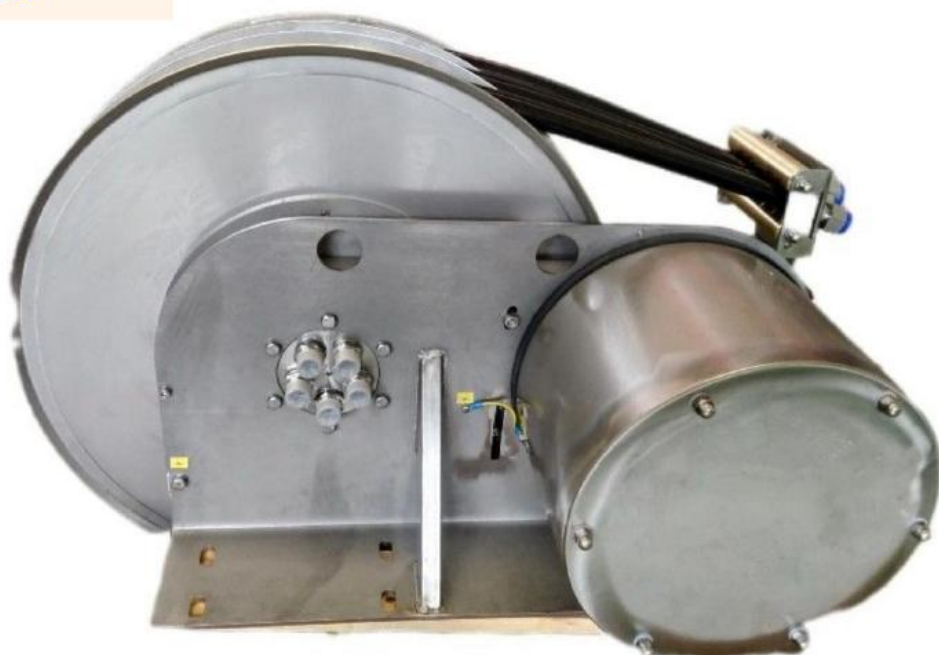
# SPRING HOSE REEL



AISI  
316L

## SPRING HOSE REEL EXPLOSION PROOF SHREX-SK SERIES

SLIP RING TYPE	SHREX-SK SERIES
Protetion Ex	Ex h
TYPE OF FLUID	OIL, AIR, WATER
max. pressure	500 Bar
Type port	G3/8—G2
Meter max	30 mt
ATEX SCHEME	II 2G Exh IIB T5 Gb

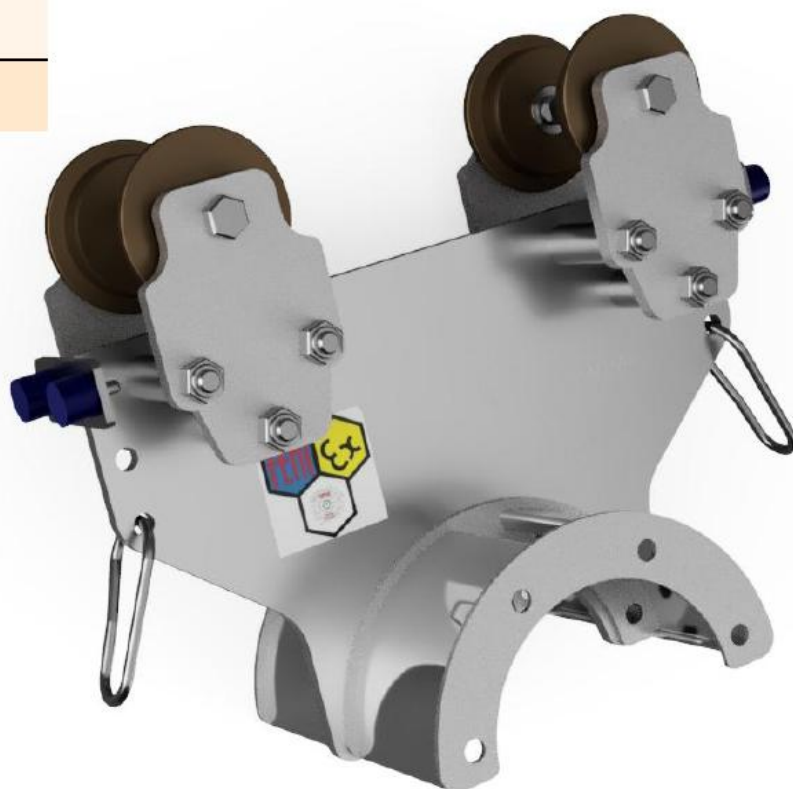


# CABLE TROLLEY



## CABLE TROLLEY EXPLOSION PROOF CT100EX SERIES

SLIP RING TYPE	SHREX-SK SERIES
Protetion Ex	Ex h
STRUCTURE	AISI316L / STEEL WITH SPECIAL GALVANIC TREATMENT
WEELS	SPARK-PROOF
STATIC ELECTRICITY	Grounding system
ATEX SCHEME	II 2G Exh IIB T5 Gb





# MARINE SERIES



# SLIP RING



AISI  
316L

## MARINE SAFETY SLIP RING SR150 SERIES

SLIP RING TYPE	SR150 SERIES
Protetion	IP66
TYPE OF RING	POWER ,AUXILIAR , SIGNAL
max. Current	In=150 A
Max Voltage	Vn=1000 VCA
Number size	SR151/SR152/SR153
UE SCHEME	2006/42/CE
DNV SCHEME	Ships 2019-07



# SLIP RING



AISI  
 316L

MARINE SAFETY

## POWER SLIP RING SR150 SERIES+ROTARY JOINT

SLIP RING TYPE	SR150 SERIES
Protetion	IP66
TYPE OF RING	POWER ,AUXILIAR , SIGNAL
max. Current	In=150 A
Max Voltage	Vn=1000 VCA
Number size	SR151/SR152/SR153
UE SCHEME	2006/42/CE
DNV SCHEME	Ships 2019-07

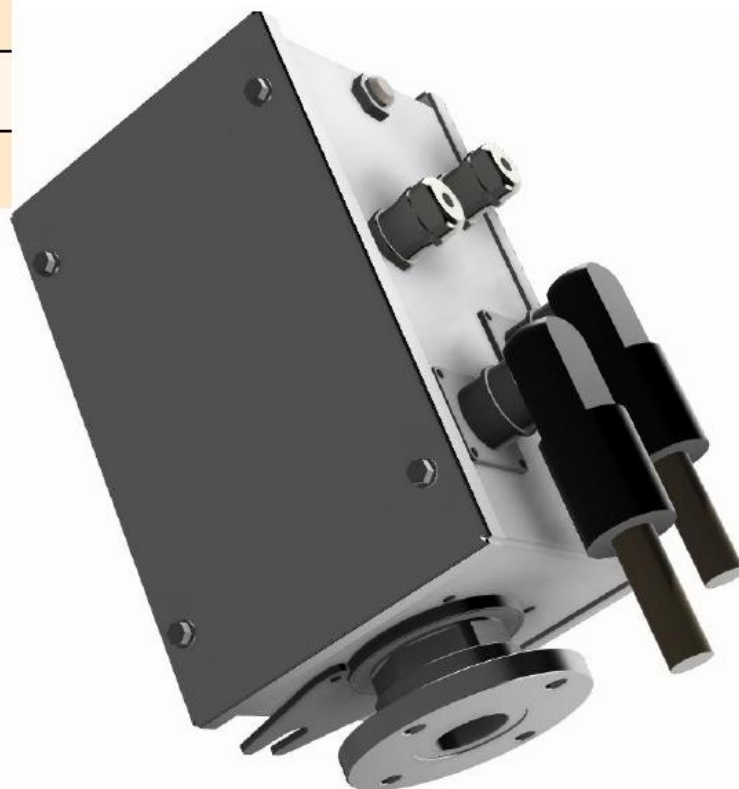


# SLIP RING



## MARINE SAFETY SLIP RING SR200 SERIES

SLIP RING TYPE	SR200 SERIES
Protetion	IP66
TYPE OF RING	POWER ,AUXILIAR , SIGNAL
max. Current	In=200 A
Max Voltage	Vn=1000 VCA
Number size	SR201/SR202/SR203/SR204
UE SCHEME	2006/42/CE
DNV SCHEME	Ships 2019-07



# SLIP RING



**AISI**  
**316L**

## MARINE SAFETY

# SLIP RING

# SR250 SERIES

SLIP RING TYPE	SR250 SERIES
Protetion	IP66
TYPE OF RING	POWER ,AUXILIAR , SIGNAL
max. Current	In=250 A
Max Voltage	Vn=1000 VCA
Number size	SR253/SR254/SR255/SR2 56/ SR257/SR258
UE SCHEME	2006/42/CE
DNV SCHEME	Ships 2019-07



# SLIP RING



**AISI**  
**316L**

## MARINE SAFETY SLIP RING+BOX SR250 SERIES

SLIP RING TYPE	SR250 SERIES
Protetion	IP66
TYPE OF RING	POWER ,AUXILIAR , SIGNAL
max. Current	In=250 A
Max Voltage	Vn=1000 VCA
Number size	SR253/SR254/SR255/SR256/ SR257/SR258
UE SCHEME	2006/42/CE
DNV SCHEME	Ships 2019-07



# SLIP RING



**AISI**  
**316L**

## MARINE SAFETY SLIP RING SR320 SERIES

SLIP RING TYPE	SR320 SERIES
Protetion	IP66
TYPE OF RING	POWER ,AUXILIAR , SIGNAL
max. Current	In=300 A
Max Voltage	Vn=1000 VCA
Number size	SR323/SR324/SR325/SR32 6
UE SCHEME	2006/42/CE
DNV SCHEME	Ships 2019-07



# SLIP RING



**AISI**  
**316L**

## MARINE SAFETY

# SLIP RING

# SR400 SERIES

SLIP RING TYPE	SR400SERIES
Protetion	IP66
TYPE OF RING	POWER ,AUXILIAR , SIGNAL
max. Current	In=500 A
Max Voltage	Vn=1000 VCA
Number size	SR406/SR408/SR4/SR326
UE SCHEME	2006/42/CE
DNV SCHEME	Ships 2019-07



# SLIP RING



**AISI**  
**316L**

## MARINE SAFETY

### SLIP RING

### SR500 SERIES

SLIP RING TYPE	SR500 SERIES
Protetion	IP66
TYPE OF RING	POWER ,AUXILIAR , SIGNAL
max. Current	In=600 A
Max Voltage	Vn=1000 VCA
Number size	SR508/SR510/SR512/SR514
UE SCHEME	2006/42/CE
DNV SCHEME	Ships 2019-07



# SLIP RING



**AISI**  
**316L**

## MARINE SAFETY SLIP RING SR600 SERIES

SLIP RING TYPE	SR600 SERIES
Protetion	IP66
TYPE OF RING	POWER ,AUXILIAR , SIGNAL
max. Current	In=600 A
Max Voltage	Vn=24KVCA
Number size	SR608/S6510/SR612/SR614
UE SCHEME	2006/42/CE
DNV SCHEME	Ships 2019-07



**Slip Ring  
Medium  
Voltage**

# SLIP RING



## MARINE SAFETY SLIP RING SR1000 SERIES

SLIP RING TYPE	SR600 SERIES
Protetion	IP66
TYPE OF RING	POWER ,AUXILIAR , SIGNAL
max. Current	In=600 A
Max Voltage	Vn=24KVCA
Number size	SR608/S6510/SR612/SR614
UE SCHEME	2006/42/CE
DNV SCHEME	Ships 2019-07



**Slip Ring  
Medium  
Voltage**

# SPRING CABLE REEL MARINE



**AISI**  
**316L**

**MARINE SAFETY**

## SPRING CABLE REEL MARINE SCRL SERIES

CABLE REEL TYPE	SCRL SERIES
Protetion	IP67
TYPE OF RING	POWER ,AUXILIAR , SIGNAL +ROTAY SENSOR+ICLINOMETER
max. Current	In=150 A
Max Voltage	Vn=1000
Number size	SCR0L2/SCRL03/SCRL05
Meter max	50 mt
UE SCHEME	2006/42/CE
DNV SCHEME	Ships 2019-07



# SPRING CABLE REEL MARINE



**AISI**  
**316L**

**MARINE SAFETY**

## SPRING CABLE REEL MARINE SCRL-SK SERIES

CABLE REEL TYPE	SCRL SERIES
Protetion	IP67
TYPE OF RING	POWER ,AUXILIAR , SIGNAL +ROTAY SENSOR+ICLINOMETER
max. Current	In=250 A
Max Voltage	Vn=1000
Number size	SCR0L SK
Meter max	100 mt
UE SCHEME	2006/42/CE
DNV SCHEME	Ships 2019-07



# MOTOR CABLE REEL MARINE



**AISI**  
**316L**

MARINE SAFETY

## MOTOR CABLE REEL MARINE MCRL SERIES

SPRING CABLE REEL TYPE	MCRL SERIES
Protetion	IP66
TYPE OF RING	POWER ,AUXILIAR , SIGNAL
max. Current	In=1000 A
Max Voltage	Vn=24KV
Number size	MCRL A140 , MCRL A160 MCRL A200
Meter max	400 mt
UE SCHEME	2006/42/CE
DNV SCHEME	Ships 2019-07



**Slip Ring  
Medium  
Voltage**

# SPM Slip Ring & Cable Reel

Design | Manufacturing | Customization | Certification



# OPS

## ON SHORE POWER SUPPLY

Marine Safety



# MOTOR CABLE REEL



**AISI**  
**316L**

## **OPS (ON SHORE POWER SUPPLY)** Version Harbour Dock

SPRING CABLE REEL TYPE	MCRL SERIES
Protection	IP66
TYPE OF RING	POWER ,AUXILIAR , SIGNAL
max. Current	In=2000 A
Max Voltage	Vn=24KV
Number size	MCRL OPS 1/2/3/4/5
Meter max	60 mt
UE SCHEME	2006/42/CE
SCHEME	IEC/IEEE 80005-1



# MOTOR CABLE REEL



**AISI**  
**316L**

## OPS (ON SHORE POWER SUPPLY) Version Ship

SPRING CABLE REEL TYPE	MCRL SERIES
Protetion	IP66
TYPE OF RING	POWER ,AUXILIAR , SIGNAL
max. Current	$I_n=2000$ A
Max Voltage	$V_n=24KV$
Number size	MCRL OPS 1/2/3/4/5
Meter max	60 mt
UE SCHEME	2006/42/CE
SCHEME	IEC/IEEE 80005-1



# MOTOR CABLE REEL



AISI  
316L

MARINE SAFETY

## JBMT JUNCTION BOX CONNECTION MEDIUM VOLTAGE

TYPE	jbmt SERIES
Protetion	IP67
Max voltage operation	20 KV
max. Current	$I_n=680$ A
Max Voltage	$V_n=24KV$
Number connectors	2
	60 mt
UE SCHEME	2006/42/CE
SCHEME	IEC/IEEE 80005-1



# JUNCTION BOX MT



**AISI**  
**316L**

**MARINE SAFETY**

## **JBMT JUNCTION BOX MEDIUM VOLTAGE** **ULTRA COMPACT** **ISOLATION SYSTEM**

TYPE	JBMT CONNECTION SERIES
Protetion	IP67
Max voltage operation	20 KV
max. Current busbars	In=680 A
Max Voltage	Vn=24KV
RATED POWER FREQ WITHSTAND VOLTAGE	50 KV
construction steel	AISI316L
UE SCHEME	2006/42/CE
SCHEME	IEC/IEEE 80005-1



# JUNCTION BOX MT



AISI  
316L

MARINE SAFETY

## JBMT<sup>P</sup> JUNCTION BOX MEDIUM VOLTAGE ISOLATION SYSTEM

TYPE	JBMT CONNECTION SERIES
Protetion	IP66
Max voltage operation	6,6 KV
max. Current busbars	In=680 A
Max Voltage	Vn=12KV
RATED POWER FREQ WITHSTAND VOLTAGE	20KV
construction steel	AISI316L
UE SCHEME	2006/42/CE
SCHEME	IEC/IEEE 80005-1





# STEEL INDUSTRY AND EARTHMOVING MACHINERY



# SLIP RING



# SIL

## SLIP RING SR135 SERIES



SLIP RING TYPE	SR135 SERIES
Protetion	IP67
TYPE OF RING	POWER ,AUXILIAR , SIGNAL
max. Current	In=100 A
Max Voltage	Vn=1000 VCA
Number size	SR135/SR136/SR1137/SR138
UE SCHEME	2006/42/CE
PL PERFORMANCE LEVEL	ISO 13849-1 2016

# SLIP RING

## HYDRAULIC ROTARY JOINT



SLIP RING TYPE	SR135 SERIES
PRESSURE MAX	500 BAR
FLUID	OIL
COSTRUCTION	STEEL / AISI316L

# SLIP RING

## SPECIAL SLIP RING



SLIP RING TYPE	SR28K22 SERIES
Protetion	IP54
TYPE OF RING	POWER ,AUXILIAR , SIGNAL
max. Current	In=600 A
Max Voltage	Vn=1000 VCA
UE SCHEME	2006/42/CE
DIAMETER SLIP RING IN /OUT	d=2200/ D=2800mm

# SPRING CABLE REEL



## SPRING CABLE REEL SCROX SERIES



SPRING CABLE REEL TYPE	SCR SERIES
Protetion	IP65
TYPE OF RING	POWER ,AUXILIAR , SIGNAL
max. Current	In=1000 A
Max Voltage	Vn=1000V
Number size	SCR01, SCR03,SCR04
Meter max	50 m
UE SCHEME	2006/42/CE

# SPRING CABLE REEL



## SPRING CABLE REEL SCR1X SERIES

SPRING CABLE REEL TYPE	SCR SERIES
Protetion	IP65
TYPE OF RING	POWER ,AUXILIAR , SIGNAL
max. Current	In=1000 A
Max Voltage	Vn=1000V
Number size	SCR12, SCR13
Meter max	50 m
UE SCHEME	2006/42/CE



# SPRING CABLE REEL



## SPRING CABLE REEL SCR-SK SERIES



SPRING CABLE REEL TYPE	SCR-SK SERIES
Protection	IP65
TYPE OF RING	POWER ,AUXILIAR , SIGNAL
max. Current	In=1000 A
Max Voltage	Vn=1000V
Number size	SCR-SK MULTISPIARAL , SCR-SK PLURISPIRAL
Meter max	100
UE SCHEME	2006/42/CE

# MOTOR CABLE REEL



## MOTOR CABLE REEL MCR SERIES



SPRING CABLE REEL TYPE	MCR SERIES
Protetion	IP65
TYPE OF RING	POWER ,AUXILIAR , SIGNAL
max. Current	In=1000 A
Max Voltage	Vn=1000V
Number size	MCR A090 , MCR A112 , MCR A140
Meter max	200
UE SCHEME	2006/42/CE

# CABLE TROLLEY

## CABLE TROLLEY



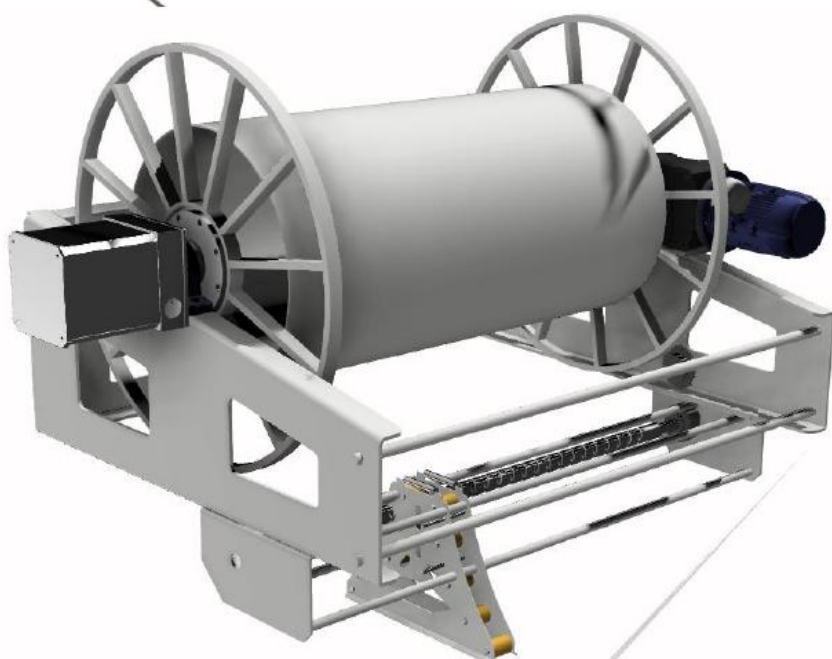
CABLE TROLLEY TYPE	CT100 SERIE
STRUCTURE	STEEL WITH SPECIAL GALVANIC TREATMENT
WEELS	STEEL WITH SPECIAL GALVANIC TREATMENT
STATIC ELECTRICITY	Grounding system
UE SCHEME	2006/34CE



# MINING AND DRILLING



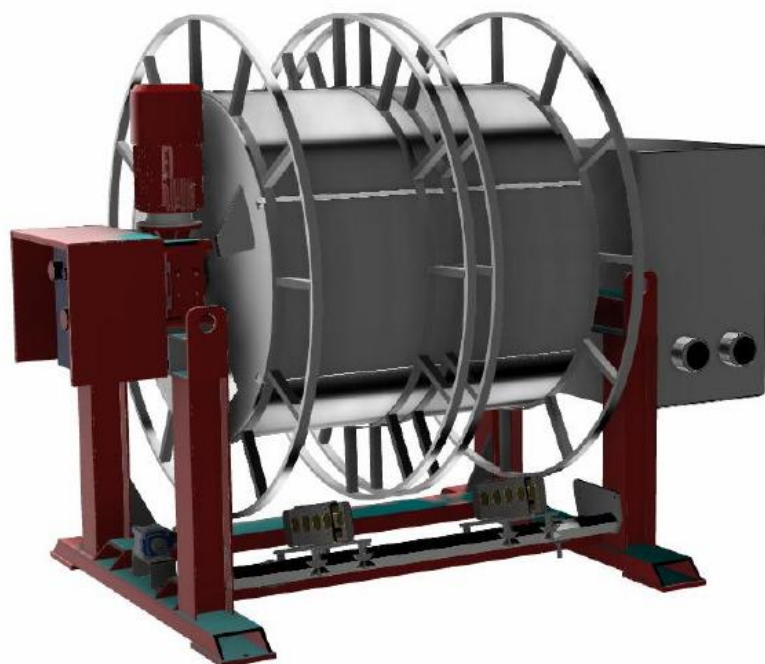
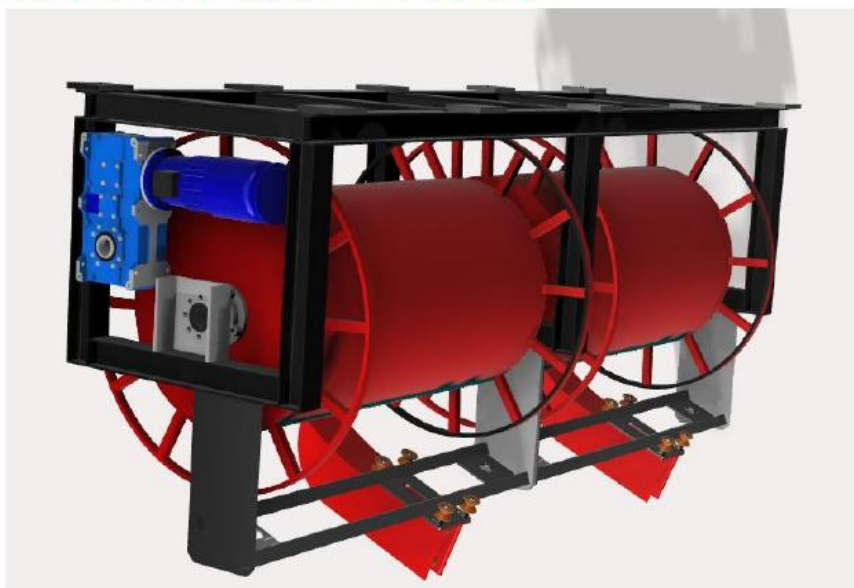
# SPECIAL MOTOR CABLE REEL



# SPECIAL MOTOR CABLE REEL



## MACR MINE & EHART MOVING MOTOR CABLE REEL



# HYDRAULIC CABLE REEL



## MCR HV MOTOR CABLE REEL TUNNELING AND MINE

SPRING CABLE REEL TYPE	MHCR SERIES
Protetion	IP66
TYPE OF RING	POWER ,AUXILIAR , SIGNAL
max. Current	In=640 A
Max Voltage	Vn =24kV
Number size	MCR
Meter max	500 mt
UE SCHEME	2006/42/CE



# HYDRAULIC CABLE REEL



AISI  
316L

## MHCR MOBILE STATION AUTOMATIC MOTOR HYDRAULIC CABLE REEL VERTICAL APPLICATION

SPRING CABLE REEL TYPE	MHCR SERIES
Protetion	IP66
TYPE OF RING	POWER ,AUXILIAR , SIGNAL
max. Current	In=300 A
Max Voltage	Vn=1000KV
Number size	MHCR
Meter max	60 mt
UE SCHEME	2006/42/CE





# INDUSTRIAL AND AUTOMATION



# SLIP RING

CAN



PROFI<sup>®</sup>  
PROCESS FIELD BUS  
BUS

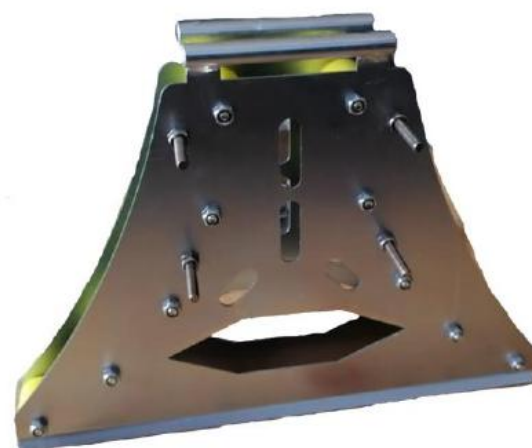
PROFI<sup>®</sup>  
INDUSTRIAL ETHERNET  
NET

## SLIP RING ANALOGIC AND DIGITAL SIGNAL DHK /DHS SERIES



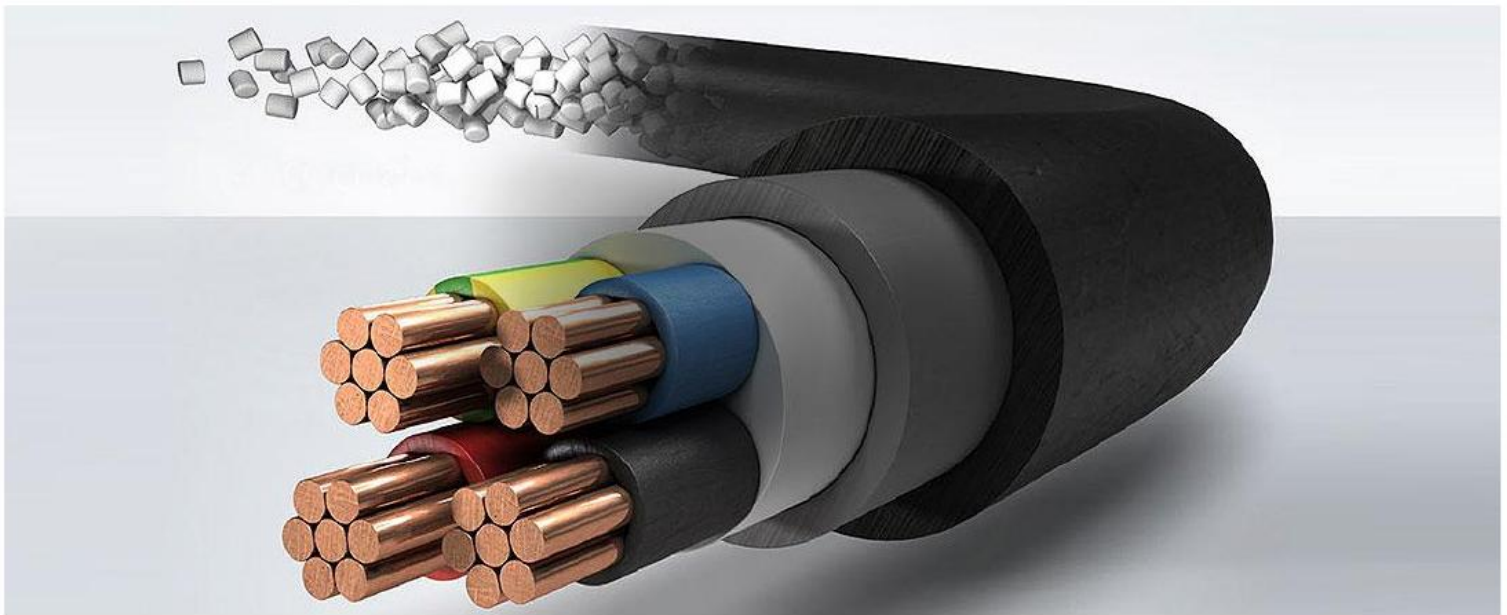
# ACCESSORIES

## ACCESSORIES SPRING AND MOTOR CABLE REEL



- BIDIRETIONAL CABLE GUIDE
- CABLE FEED POINTCABLE
- CABLE SOCKS
- SPRING
- CABLE GUIDE
- ROLLER CABLE REEL

# SPECIAL CABLE



## **CABLE DESIGN:**

- **HYBRIDS: POWER, AUXILIARIES AND SIGNALS**
- **SPECIAL FOR MOBILE INSTALLATION FOR HARD ENVIRONMENTS**



**SPM SPECIAL MACHINE s.r.l**

Via Padana superiore 38 20065 Inzago (MI)

C.F P.iva 11025160968 SDI **J6URRTW**

Tel +39 0209948040 cell.+39 3286972169

[sales@spm-slipring.it](mailto:sales@spm-slipring.it) [www.spm-slipring.it](http://www.spm-slipring.it)

REV 5 01/02/ 26

**2026**



# EXPLUSULTRA

Distribución de Equipos Industriales Especiales

## DISTRIBUIDOR OFICIAL SPM SPECIAL MACHINE

para LATAM & CARICOM — Since 2024

### COBERTURA DE MERCADO

- América Central y Panamá
- América del Sur (Colombia, Perú, Chile, Ecuador, Brasil)
- CARICOM — Trinidad & Tobago, Jamaica, Barbados, Guyana
- México y el Caribe hispano

### SECTORES INDUSTRIALES

- Oil & Gas — Plataformas offshore, refinerías, terminales
- Minería — Subterránea y a cielo abierto (ATEX/IECEX)
- Marina — Buques, grúas portuarias, winches navales
- Energía — Eólica, generación y distribución
- Industrial — Automatización, siderurgia, maquinaria pesada

### SERVICIOS EXPLUSULTRA

- Asesoría técnica en español e inglés
- Cotizaciones personalizadas con especificación técnica
- Documentación de certificación ATEX/IECEX
- Logística y despacho desde Italia a todo LATAM
- Soporte post-venta y coordinación con fábrica

### CONTACTO COMERCIAL

#### Ing. Davide Dante Sala

Gerente de Desarrollo de Negocios — LATAM & CARICOM

✉ [info@explusultra.com](mailto:info@explusultra.com)

■ WhatsApp: +507 6311-3676

■ [www.explusultra.com](http://www.explusultra.com)

■ Panama City, República de Panamá